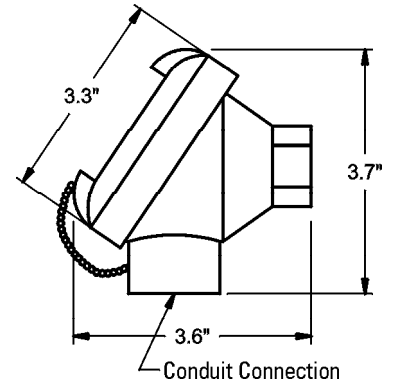


**Universal Heads - Standard**



These standard universal heads are available in polished Cast Aluminum and rugged Cast Iron. The heads are threaded and come standard with a heavy duty silicone gasket to protect against wind blown rain and dust. The temperature rating of the gasket is 600 degrees F. The gasket provides an excellent weather tight seal and meets NEMA 4 rating. Its universal construction accepts DIN size hockey puck temperature transmitters and any terminal block up to 2 inches in diameter. Standard openings are 1/2 inch NPT process and 3/4 inch NPT conduit. A stainless steel chain which connects the cap to the body is supplied with each head.

**Order Codes\*:** CA – Cast Aluminum and CI – Cast Iron

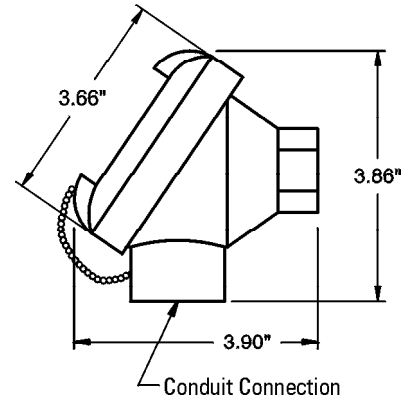


**Large Universal Head**



When space is not a problem this over-sized, tough aluminum head is the answer. This head has all the standard features of our Universal heads. The large cavity promotes faster field wiring connections and consequently reduces installation costs.

**Order Code\*:** LCA – Large Cast Aluminum

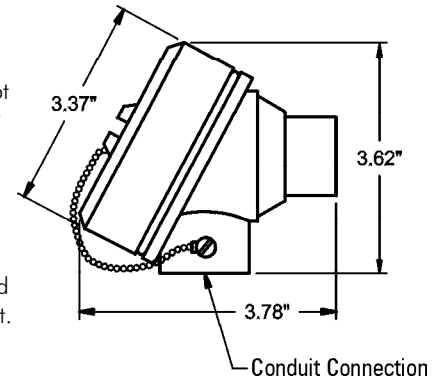


**Universal Explosion Proof Heads - Standard**



Head housings are available in both cast aluminum and 316 stainless steel. The heads are threaded and can accept DIN size hockey puck temperature transmitters and slightly larger sized transmitters and any terminal block up to 2 inches in diameter. The heads carry both CSA and FM explosion proof approvals. FM explosion proof rating allows the head to be used in class I, Division 1, Groups B,C, & D and Class II, Division 1, Groups E,F & G areas. Heads are also rated for NEMA 4 and NEMA 4X. Standard openings are 1/2 inch NPT process and 3/4 inch NPT conduit.

**Order Codes\*:** EPA – Explosion Proof Aluminum  
EPS – Explosion Proof Cast Stainless Steel

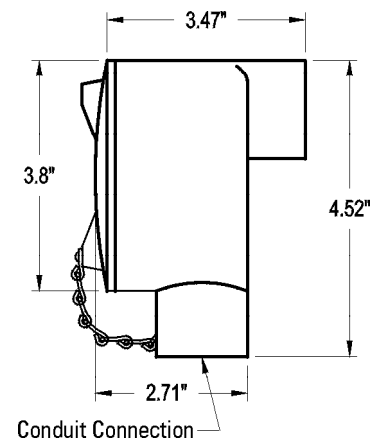


**Large Universal Explosion Proof Heads**



When space is not a problem this over sized, tough head is the answer. This head has all the standard features of our Universal Explosion Proof heads. Its size can accept even larger terminal blocks. The large cavity promotes faster field wiring connections and consequently reduces installation costs. To reduce errors and improve accuracy these heads can accept the TB200 terminal block. This block is available with thermocouple contacts. Standard openings are 1/2 inch NPT process and 3/4 inch NPT conduit.

**Order Codes\*:** EHA – Explosion Proof Aluminum  
EHI – Explosion Proof Cast Iron



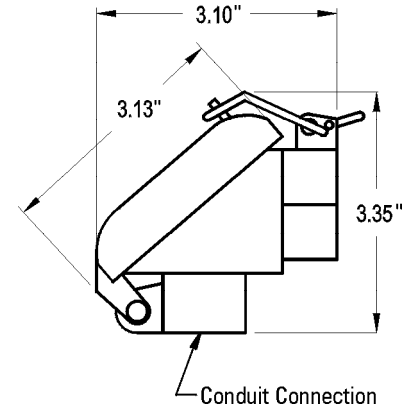
**\*Note:** A corrosion resistant epoxy coating can be applied to all heads on this page to meet NEMA 4X ratings (add X suffix to the order code i.e. EHAX).

**Flip Top Aluminum**



This Cast Aluminum head has no threads, therefore galling (caused by excessive heat and chemical attack) is eliminated. Thread galling may require tools to force the cap open. With the Flip Top design no tools are ever needed to open the cap and inspect or replace the sensor. Stainless hinge hardware and an O ring are standard. The head is rated for NEMA 4 and accepts DIN size hockey puck temperature transmitters and any terminal block up to 2 inches in diameter. The cost effective aluminum design is replacing conventional threaded heads in many process plants. Standard openings are 1/2 inch NPT process and 3/4 inch NPT conduit.

**Order Code:** FTA – Flip Top Aluminum

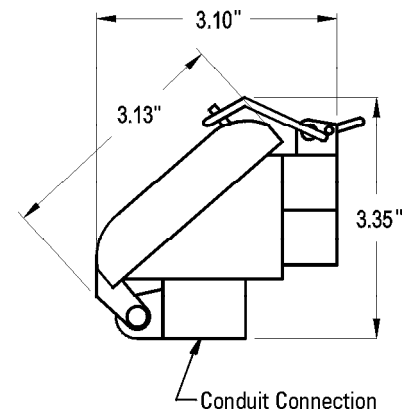


**Flip Top Sanitary Head**



This FDA approved plastic sanitary head has the same specifications as the FTA (flip top aluminum) head. It is NEMA 4 rated and accepts standard terminal blocks. Due to the added RFI protection a metal head provides this head is not recommended as a housing for field mounted temperature transmitters. The absence of threads in the cap and body and the FDA approved material make this head an excellent choice in food processing applications, especially where CIP caustic wash downs are used. Standard openings are 1/2 inch NPT process and 3/4 inch NPT conduit

**Order Code:** FTS – White Flip Top Sanitary

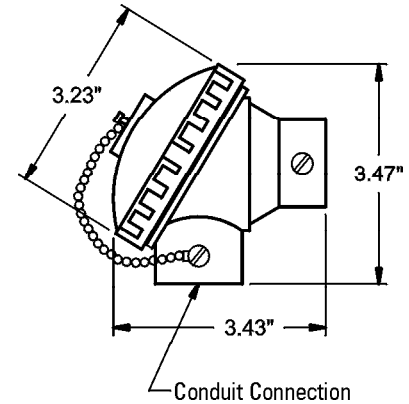


**Plastic Heads**



These high density plastic heads are extremely suitable for conditions that would attack conventional metal housings. The screw cover heads come standard with a neoprene rubber gasket and stainless steel chains and screws. Standard openings are 1/2 inch NPT process and 3/4 inch NPT conduit.

**Order Codes:** PP – Black Polypropylene  
PPS – White Polypropylene Sanitary



**General Purpose Stainless Steel**



This head has all the same characteristics as our Universal Explosion Proof stainless steel head except it has no agency approvals for use in hazardous locations. It is very effective in food processing areas where other metal heads may be affected by caustic washdowns and other CIP procedures. It is also very cost effective in process areas where aluminum can't be used.

Standard openings are 1/2 inch NPT process and 3/4 inch NPT conduit.

**Order Code:** CSS – Cast Stainless Steel

