

The thermocouple and RTD designs for the type 1400 are multi-purpose but all can be easily installed in an existing thermowell. All thermocouples are made with high purity mineral oxide insulation and a high temperature stainless steel sheath. RTD's are selected by determining the temperature range and vibration considerations. When inserting in a thermowell the lengths "L" for each type are determined by the overall length of the well plus 1/2". The overall length of the well equals the "U" length + the "T" length (see pages A-8 – A-19). The 1400 has a sealed weld connection preventing hot gases from escaping and consequently can be used without a thermowell. The 1443 is designed specifically for use in a thermowell and comes with a spring assembly which insures positive contact to the bottom of the well and provides good response characteristics. The 1445 eliminates the need for an exact immersion length.

To order: Indicate the code letter or value for each requirement.

HEAD TYPE

- 0 No Head
- CA Cast Aluminum
- CI Cast Iron
- CSS Cast Stainless Steel
- LCA Large Cast Aluminum
- PP Polypropylene (Black)
- PPS Polypropylene Sanitary
- FTA Flip Top Aluminum
- FTP Flip Top Poly (white)
- EPA Explosion Proof Aluminum
- EPS Explosion Proof Stainless Steel
- EHA Explosion Proof Aluminum
- EHI Explosion Proof Iron

SENSOR TYPE

- 1440
- 1443
- 1445

Sensor Calibration

- J Iron Constantan®
- K Chromel® Alumel®
- T Copper Constantan®
- E Chromel® Constantan®
- N Nicrosil® Nisil®
- PO Low Temp RTD to 500° F
- PH High Temp RTD to 900° F
- PM Heavy Duty RTD to 1100° F

Standard RTD is a three-wire 100 ohm Platinum / .00385 Alpha. For special limits on thermocouples, repeat calibration code, i.e. JJ. For Smart Stuff sensors use S prefix in front of calibration code.

Sensor OD

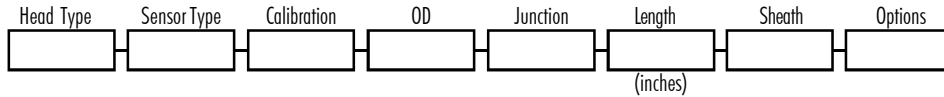
- 18 1/8"
- 316 3/16"
- 14 1/4"
- 516 5/16"
- 38 3/8"

Sensor Junction

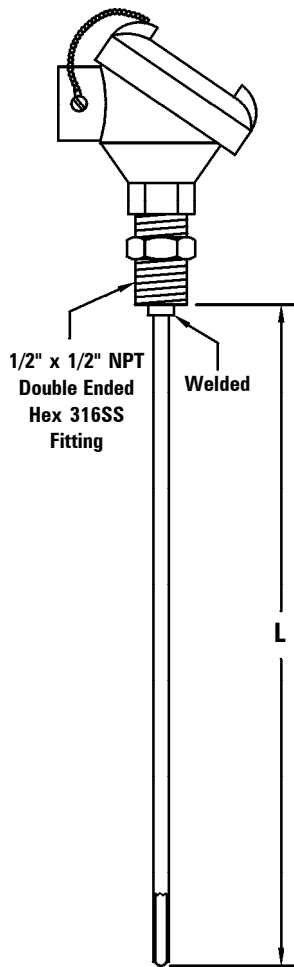
- G Grounded
- U Ungrounded
- DG Dual Grounded
- DU Dual Ungrounded
- S Single RTD
- D Dual RTD

Sensor Sheath Materials

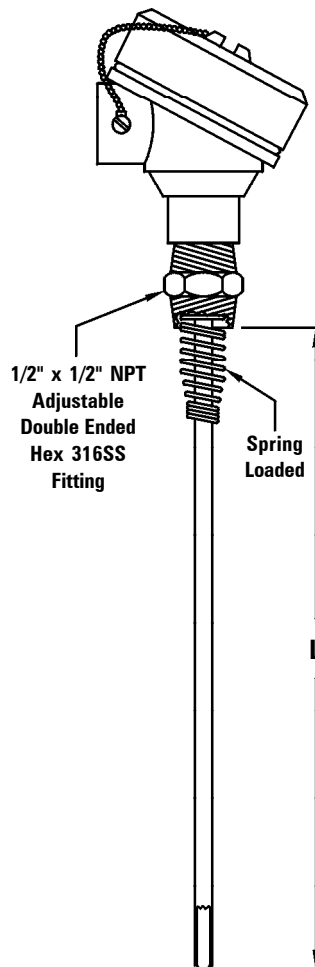
- P 304SS
 - R 316SS
 - Q 310SS
 - A Alloy 600
- Standard Sheath Material is 316SS.*



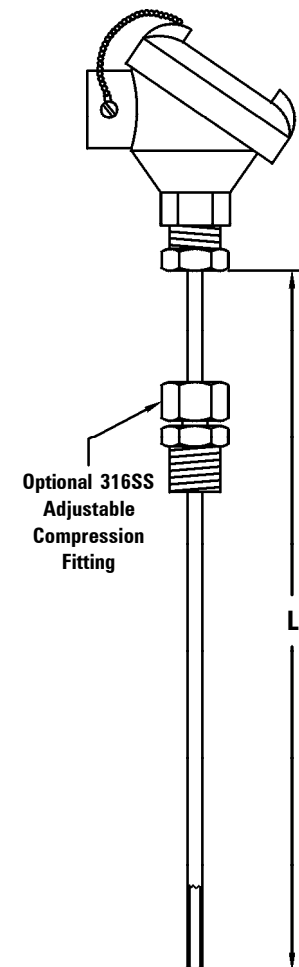
TYPE 1440



TYPE 1443



TYPE 1445



OPTIONS

Sensor Options

- BR18 Adj Brass Comp Fitting 1/8" NPT*
- BR14 Adj Brass Comp Fitting 1/4" NPT*
- BR12 Adj Brass Comp Fitting 1/2" NPT*
- CT Compensated Terminals (EHA/EHI head only)
- FW Four Wire RTD
- GA Grade A Tolerance per ASTM 1137
- SS18 Adj SS Comp Fitting 1/8" NPT*
- SS14 Adj SS Comp Fitting 1/4" NPT*
- SS12 Adj SS Comp Fitting 1/2" NPT*
- TW Two Wire RTD
- VH Vent hole for fittings insert following fitting part no.

Transmitter/Indicator Options

- LCR Fixed Range Type, RTD, FM
 - LCS Programmable, Non FM
 - PT Programmable FM
 - HC Hart® Compatible Provide Range and Temp F/C
 - TI Temperature Indicator (use with transmitter)
- See pages A-33 – A36 for additional transmitter information.*
- See pages A-8 – A-20 for thermowell types.*
- *Add T after SS or GR for Teflon® Ferrule*