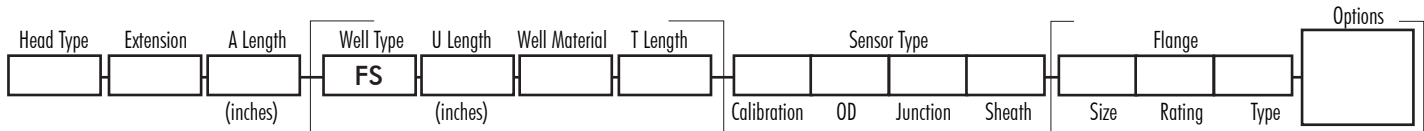


# Straight Flanged Well Assemblies

**To order:** To specify a complete assembly, indicate the code letter or value for each requirement. To order a well only, fill in only the boxes in brackets. Add a nipple or nipple-union-nipple to a well by including the extension code and "A" length in addition to the well codes.



## HEAD TYPE

0 No Head	FTP Flip Top Poly (white)
CA Cast Aluminum	EPA Explosion Proof Aluminum
CI Cast Iron	EPAA Explosion Proof Aluminum ATEX
CSS Cast Stainless Steel	EPS Explosion Proof Stainless Steel
PPS Polypropylene Sanitary	EHA Explosion Proof Aluminum
FTA Flip Top Aluminum	EHI Explosion Proof Iron

## EXTENSION

N Nipple Galvanized
NUN Nipple/Union/Nipple Galvanized
NS Nipple Stainless Steel
NUNS Nipple/Union/Nipple Stainless Steel
HUNS Hex Nipple/Union/Nipple Stainless Steel
PNUN Pressure Seal in Union Galvanized
PNUNS Pressure Seal in Union Stainless Steel

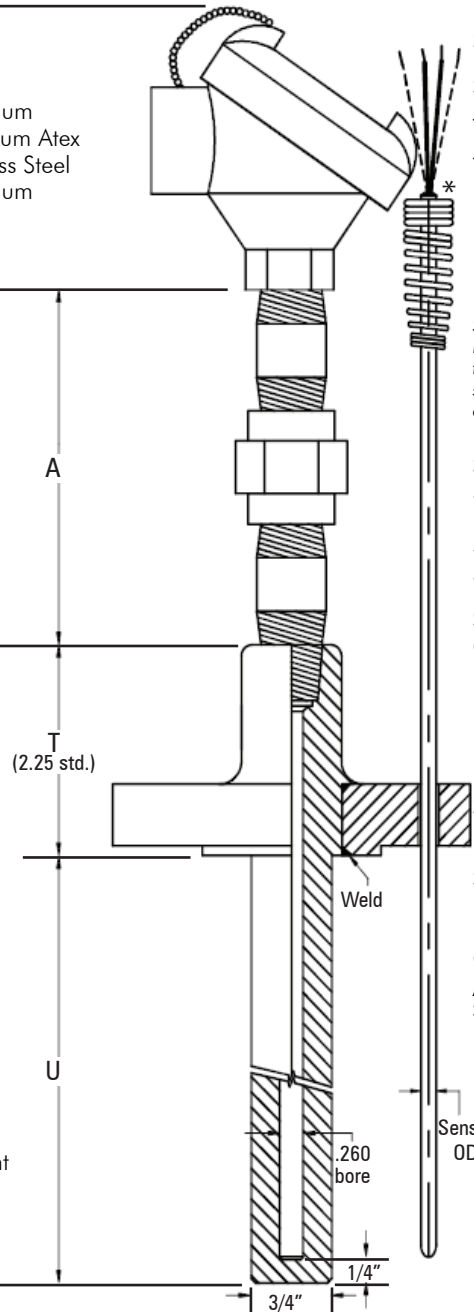
See page A-7 for additional information.

## THERMOWELL - TYPE FS

Well Materials – For other materials, see page B-6.

A Alloy 600	M Monel® 400
AA Alloy 20	N Nickel
B Hastelloy® B	P 304SS
C Hastelloy® C	Q 310SS
D 321SS	R 316SS
F 347SS	S Carbon Steel
H 446SS	T Teflon®
I Alloy 800	V Alloy 825
LP Low Carbon 304SS	W Alloy 601
LR Low Carbon 316SS	Y Brass

Flange Size	Flange Rating	Flange Type
1"	150 600	RF Raised Face
1 1/2"	200 900	FF Flat Face
2"	300 1500	RTJ Ring Type Joint
3"	400	
4"		



## SENSOR TYPE

### Sensor Calibration

J Iron Constantan®
K Chromel® Alumel®
T Copper Constantan®
E Chromel® Constantan®
N Nicrosil® Nisil®
PO Low Temp RTD to 500° F
PH High Temp RTD to 900° F
PM Heavy Duty RTD to 900° F

Standard RTD is a three-wire 100 ohm Platinum / .00385 Alpha. For higher temperature ranges - consult factory. For special limits on thermocouples, repeat calibration code, i.e. JJ.

### Sensor OD

316 3/16"
14 1/4"
516 5/16"
38 3/8"

### Sensor Junction

G Grounded
U Ungrounded
E Exposed
DG Dual Grounded
DU Dual Ungrounded
DE Dual Exposed
S Single RTD
D Dual RTD

### Sensor Sheath Materials

P 304SS
R 316SS
Q 310SS
A Alloy 600

Standard Sheath Material is 316SS.

\* Epoxy Seal - Max. Temp. 300°F

## OPTIONS

### Sensor Options

GA Class A
FW Four Wire RTD
HV High Vibration RTD (PM only)
CR Cryogenic RTD (PM only)
CT Compensated Terminals (EHA/EHI head only)

### Thermowell Options

FP Full Penetration Weld
HTE Hydrostatic Pressure Test External
HTI Hydrostatic Pressure Test Internal
NC NACE Certification for Well
OC Oxygen Cleaned
ST Stellite® Coating
TF Teflon® Coating

TC Tungsten Carbide
TS Tantalum Sheath
VC Velocity Calculations
BC Brass Plug and Chain
SC SS Plug and Chain
WB .385 Bore

If other than .385 Bore is required, specify bore size.

### Transmitter/Indicator Options

LCP Programmable, RTD, FM
PT Programmable FM
HC Hart® Compatible
Provide Range and Temp F/C
See pages A-33 – A34 for additional transmitter information.
LPI Loop Temperature Indicator
See pages A-33 – A-34 for transmitter and other options.
BPI Battery Powered Indicator